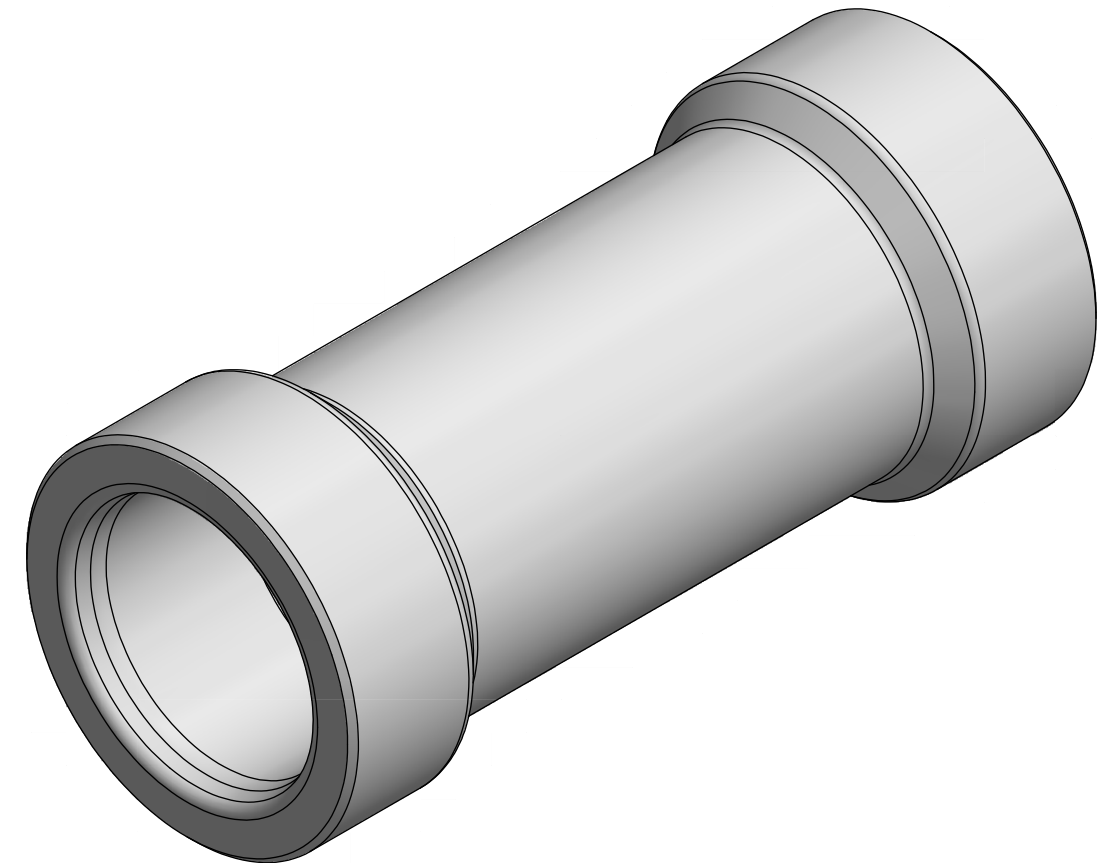
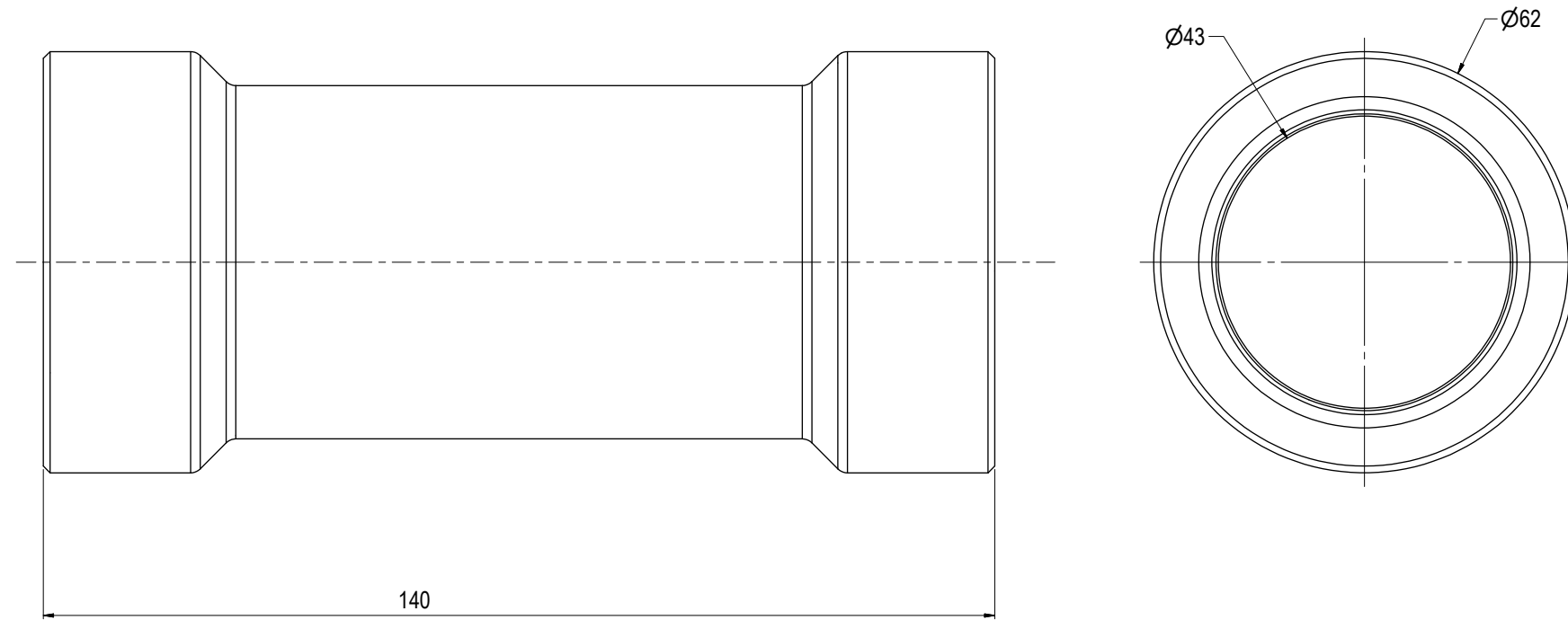


NOTE: 1  
 DESIGN CODE:  
 API 17H Type 1

NOTE: 2  
 TECHNICAL CLASSIFICATION:  
 Article Type: 001-Hot Stabs  
 Main Group: 1.03. Ø43 Hot Stab  
 Intermediate Group: 1.2.03. Protection  
 Sub Group: 1.2.7.02. Dual

NOTE: 3  
 INTERFACE INFORMATION:  
 Pressure Rating Bar: N/A  
 Material: PEHD 1000  
 Weight: 0,1 kg  
 Volume: 0,13 dm<sup>3</sup>  
 Surface Area: 470 cm<sup>2</sup>  
 Hydraulic: N/A  
 Mechanical: N/A  
 Electrical: N/A  
 Com. & Protocol: N/A



Rev.	Date	Reason for issue	Revision change	Made	Chk'd	Appr.
01	18.10.2021	9-IFU (Issued for Use)		HNJ	WTJ	HNJ



Unless Noted Otherwise:	Dwg Scale: NTS
Dim. Tol: NS-ISO 2768-1	Dwg Proj:
Roughness: Ra	Dwg Format: A3
Fillet Rad: Corner Rmax:	Break Edges: (R. Alt. 45°) R= 0,1-0,5

Drawing title: Ø43 DP Stab Protection Sleeve	Rev: 01
Drawing number: BB7078	